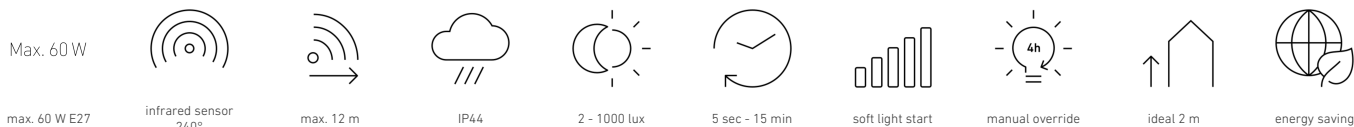


Sensor-switched outdoor light

L 115 S

Anthracite
 EAN 4007841 059880
 Article number 059880



Function description

Bright individual. Sensor-switched outdoor light L 115 S, ideal for building fronts and building entrances, 240° angle of coverage, reach up to 12 m, selectable time and twilight threshold, basic light-level function.

Technical specifications

Dimensions (L x W x H)	257 x 215 x 330 mm
With lamp	No
Manufacturer's Warranty	3 years
Settings via	Potentiometers
With remote control	No
Version	Anthracite
PU1, EAN	4007841059880
Application, place	Outdoors
Application, room	outdoors, front door, all round the building, terrace / balcony, courtyard & driveway
Colour	Anthracite
Installation site	wall
Impact resistance	IK03
IP-rating	IP44
Protection class	II
Ambient temperature	from -20 up to 50 °C
Housing material	Plastic

Sneak-by guard	Yes
Capability of masking out individual segments	Yes
Electronic scalability	No
Mechanical scalability	No
Reach, radial	r = 5 m (52 m ²)
Reach, tangential	r = 12 m (302 m ²)
Photo-cell controller	Yes
Cover material	shrouds
Lamp	All-purpose lamp
Base	E27
Soft light start	Yes
Continuous light	selectable, 4h
Twilight setting	2 – 1000 lx
Time setting	5 s – 15 Min.
Basic light level function	Yes
Interconnection	No
Basic light level function in per cent	0 – 50 %

Sensor-switched outdoor light

L 115 S

Anthracite

EAN 4007841 059880

Article number 059880



Technical specifications

Cover material	Glass transparent
Mains power supply	230 – 240 V / 50 Hz
Output	60 W
Power consumption	0,7 W
Mounting height max.	6,00 m
Slave modeselectable	No

Basic light level function percentage, from	0 %
Basic light level function percentage, up to	50 %
Optimum mounting height	2 m
Detection angle	240 °
Product category	Sensor-switched outdoor light

Sensor-switched outdoor light

L 115 S

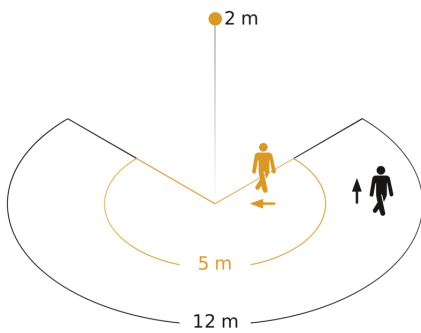
Anthracite

EAN 4007841 059880

Article number 059880



Detection Zone

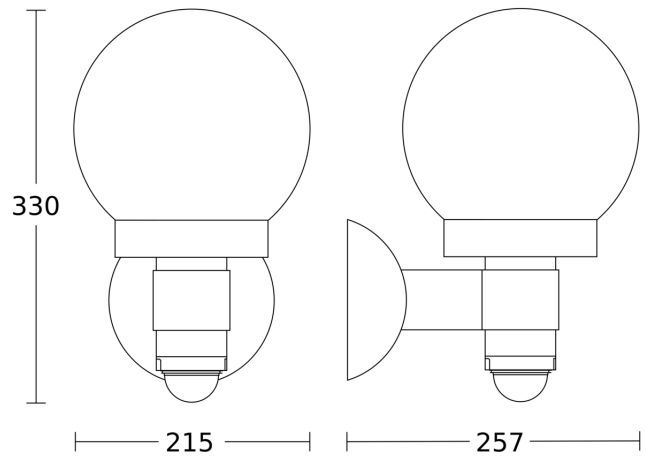


Possible mounting height: 1,80 m - 6,00 m

Orange: radial

Black: tangential

Dimension Drawing



Circuit diagram

